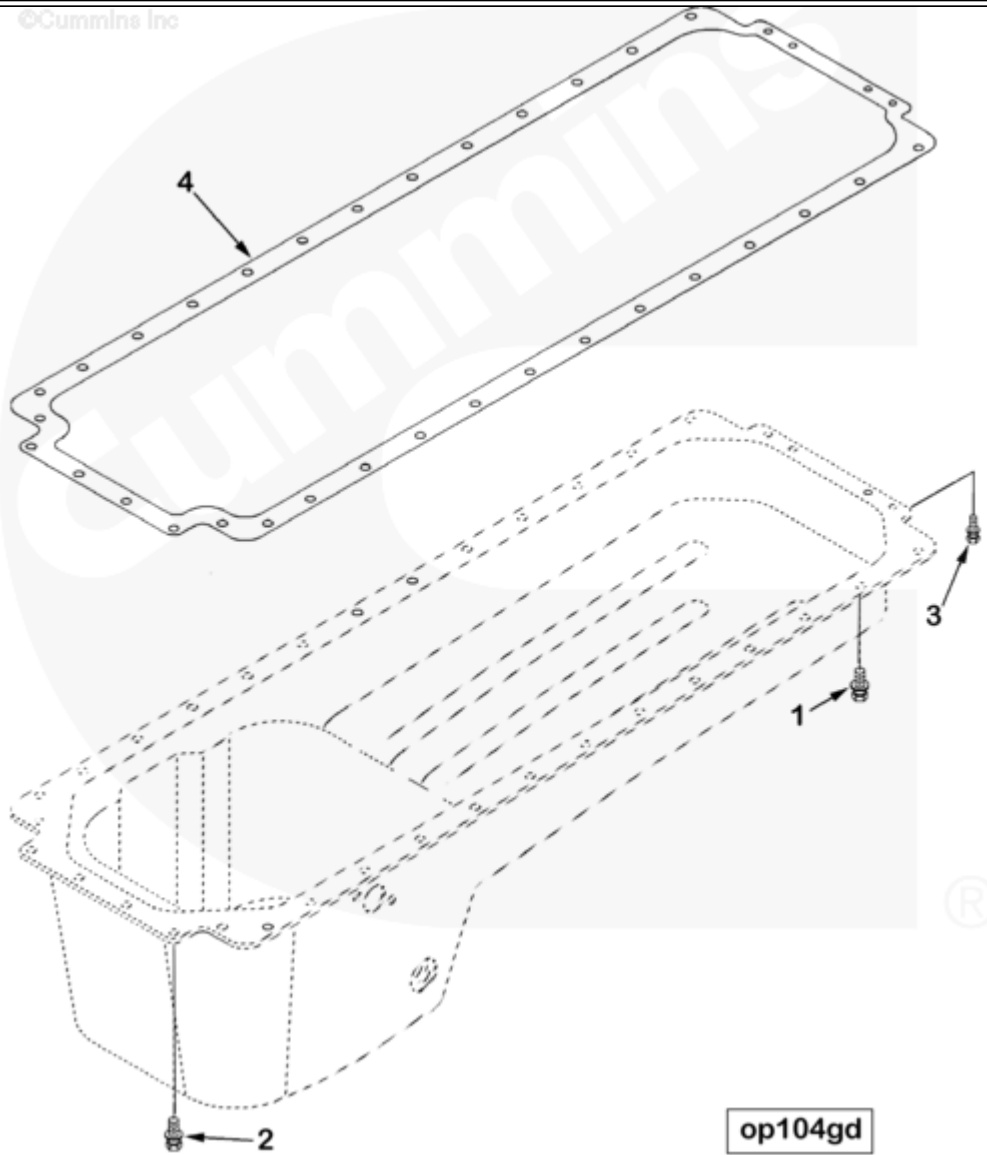




Parts Catalog - Option Detail

Electronic Parts Catalog - Option Detail				
Option	Group	Graphic	Film Card	Date
OP1747-02	07.01	op104gd	FF	15-OCT-00
Engines	G855, G855 CM558, GTA855 CM558 (CM2358) G101, N14 CELECT, N14 CELECT PLUS, N14 MECHANICAL, NH/NT 855, QSM11 CM876 M101, QSM11 CM876 M102M, QSN14 CM876 N103, QSN14 CM876 N105, QSNT14 CM876 N102			



[SMALL](#) | [MEDIUM](#) | [LARGE](#)

Cart	Ref No	Part Number	Part Description	Required	Remarks
View My Cart					

		OP1747-02	Oil Pan Mounting		Mounting for cast...(More)
					aluminum oil pan. For use
					on STC engines only.
<input type="checkbox"/>	1	3008069	Captive Washer Cap Screw	26	7/16 - 20 X 1 3/8 in.
<input type="checkbox"/>	2	3017049	Captive Washer Cap Screw	4	7/16 - 14 X 2 1/8 Inch.
<input type="checkbox"/>	3	3017050	Captive Washer Cap Screw	4	5/16 - 24 X 2 1/8 in.
<input type="checkbox"/>	4	3099083	Oil Pan Gasket	1	

© 2019 Cummins Inc., Box 3005, Columbus, IN 47202-3005 U.S.A.
Terms of Use and Disclaimers | Recommended System Requirements
Need Assistance? Please click on the Contact Us button in the top right corner of any page.